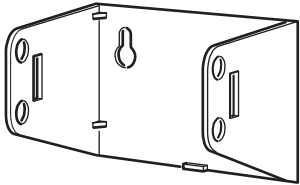
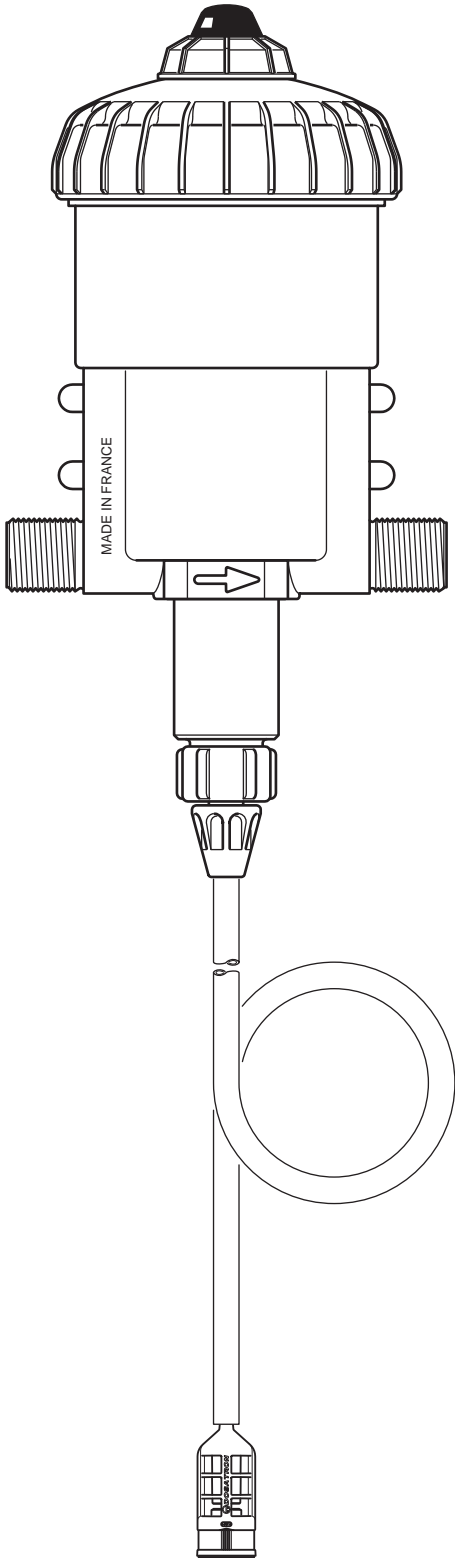


# D25F02

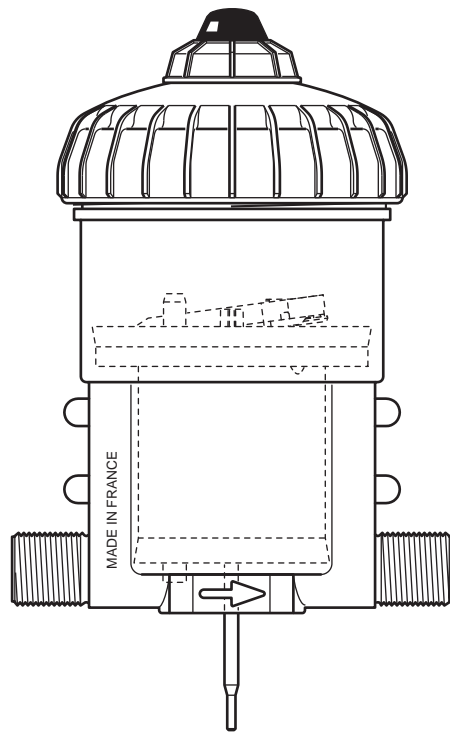
2.5 m<sup>3</sup>/h - 0.2%  
11 GPM - 1:500  
0.3 - 6 bar  
4.3 - 85 psi



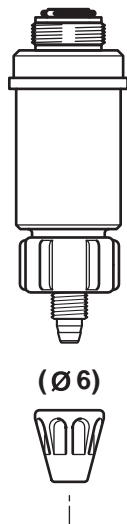
# D25F02

2.5 m<sup>3</sup>/h - 0.2%  
11 GPM - 1:500  
0.3 - 6 bar  
4.3 - 85 psi

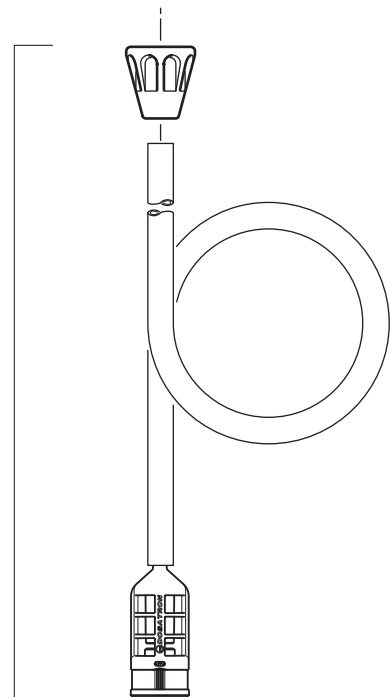
**C+M**



**D**

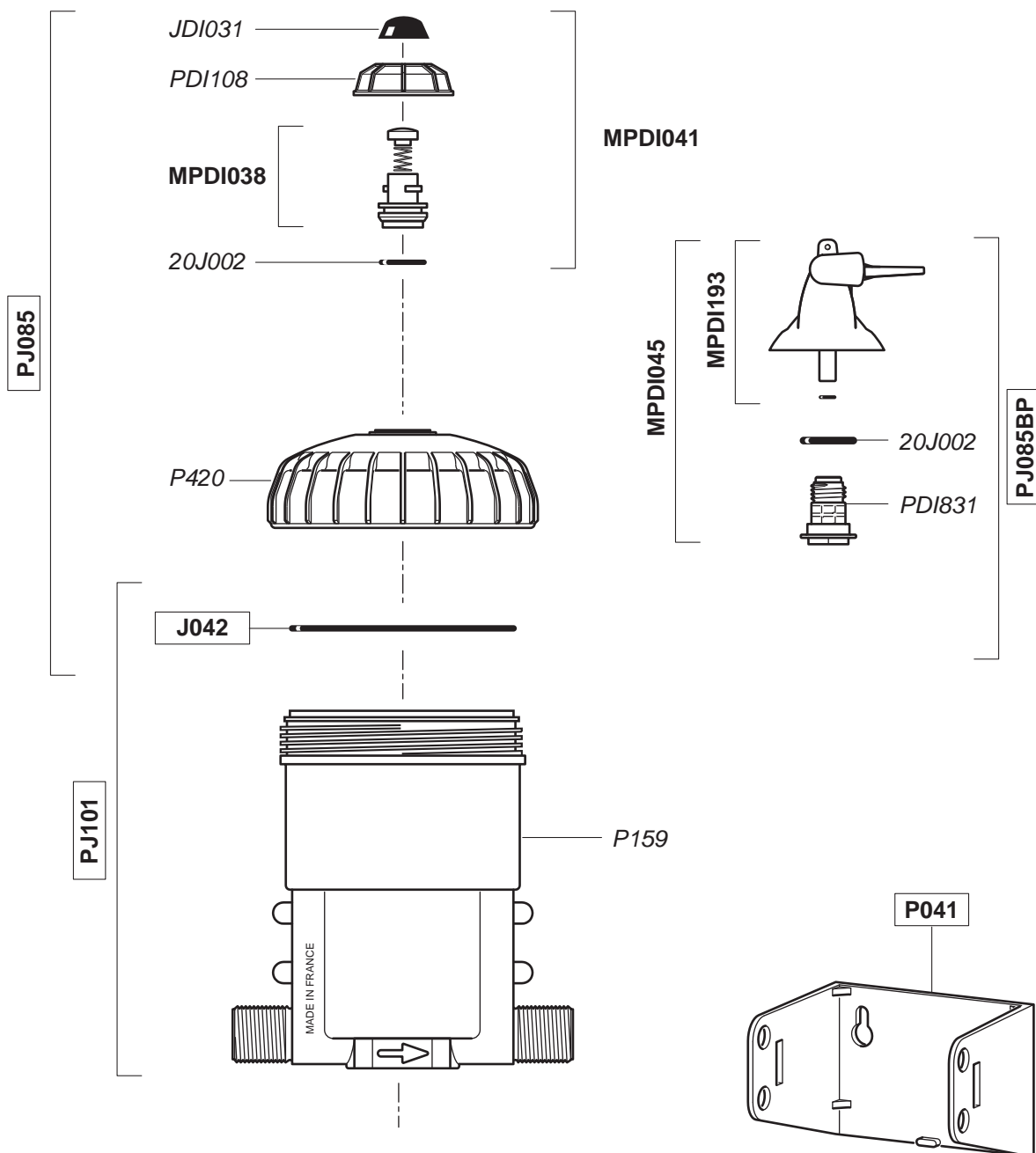


**A**



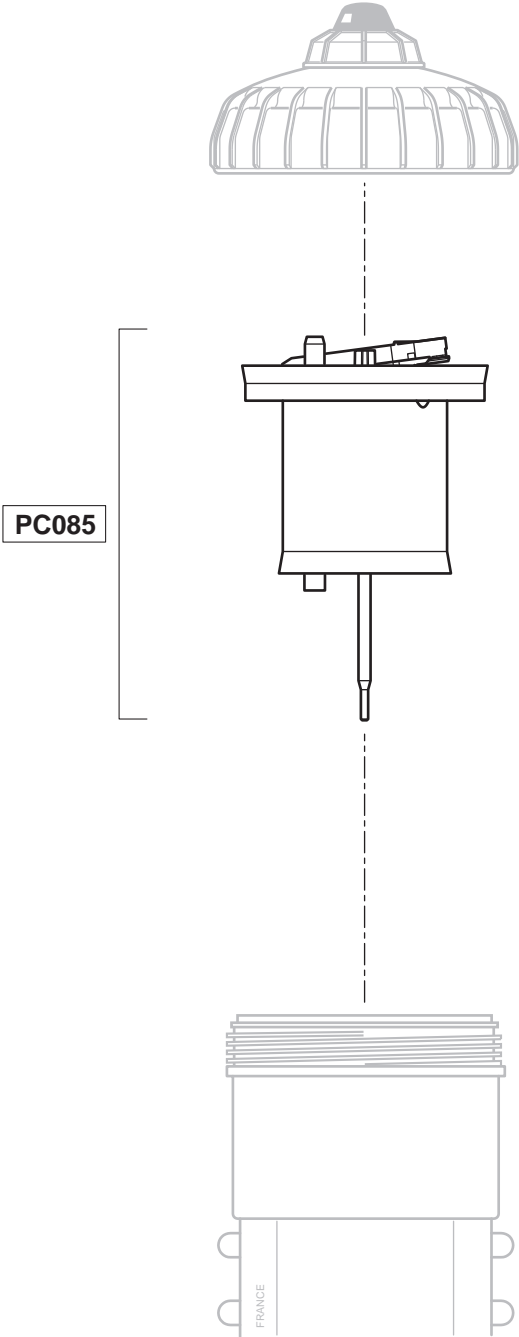
# D25F02

2.5 m<sup>3</sup>/h - 0.2%  
 11 GPM - 1:500  
 0.3 - 6 bar  
 4.3 - 85 psi



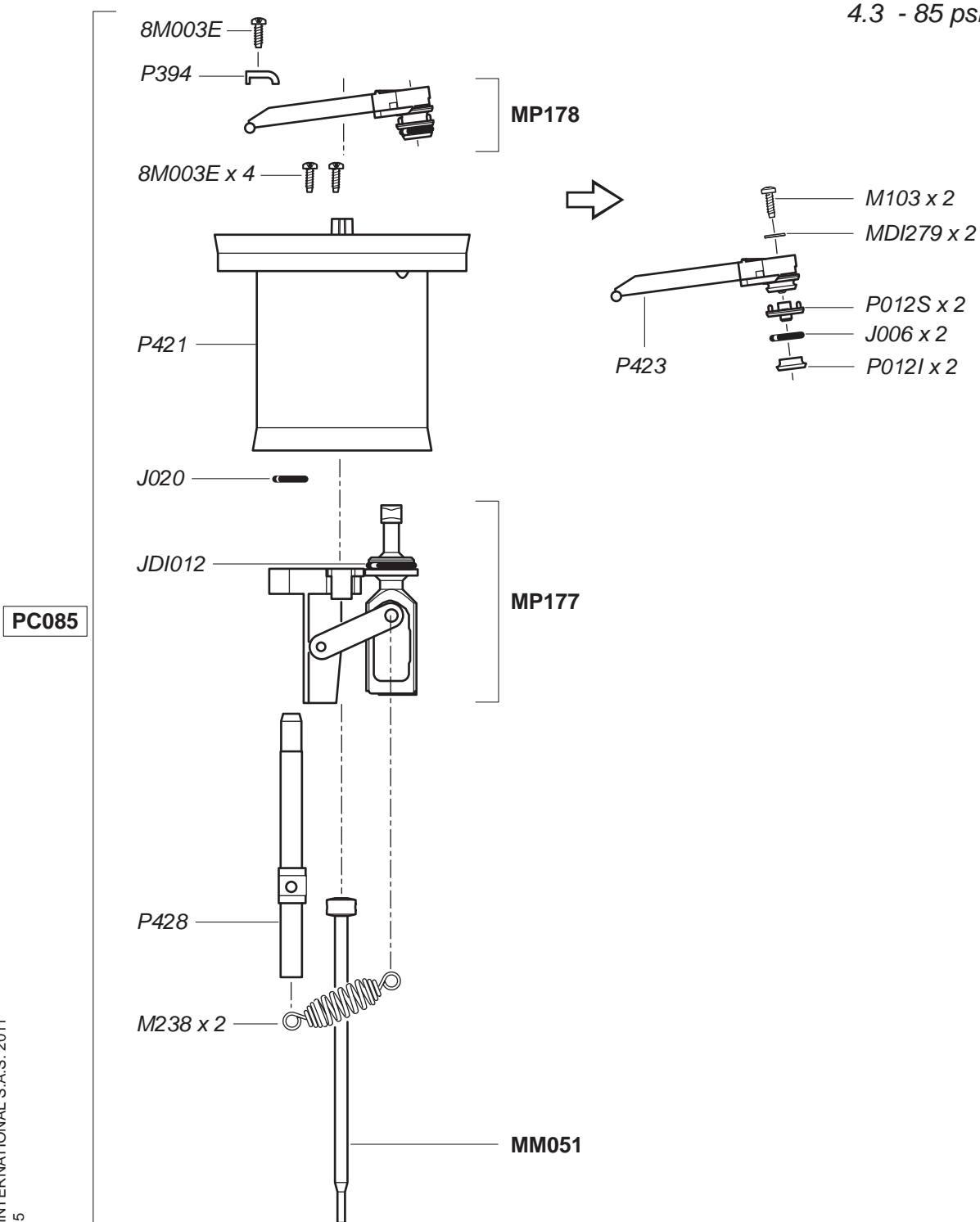
# D25F02

2.5 m<sup>3</sup>/h - 0.2%  
11 GPM - 1:500  
0.3 - 6 bar  
4.3 - 85 psi



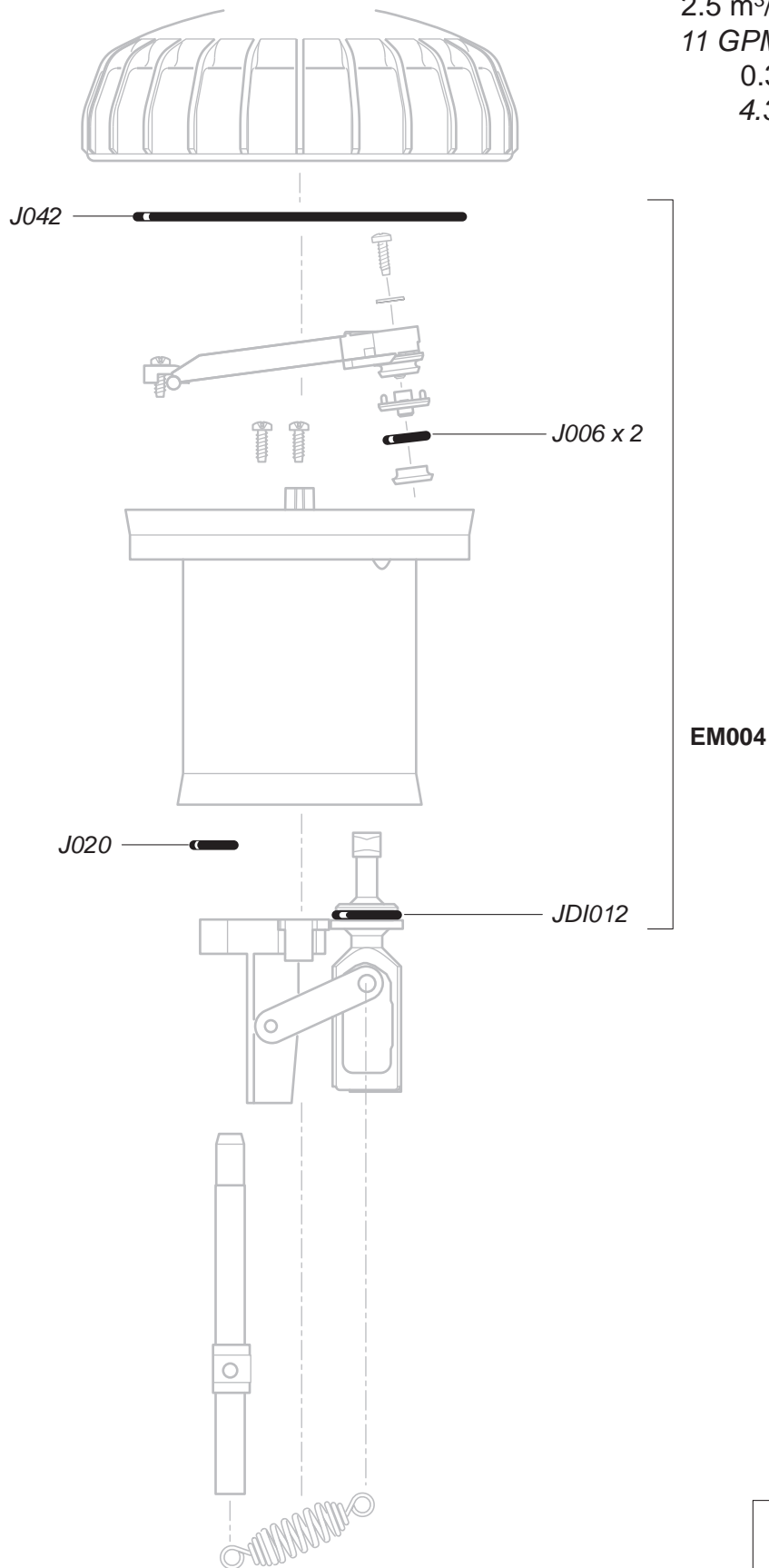
# D25F02

2.5 m<sup>3</sup>/h - 0.2%  
 11 GPM - 1:500  
 0.3 - 6 bar  
 4.3 - 85 psi



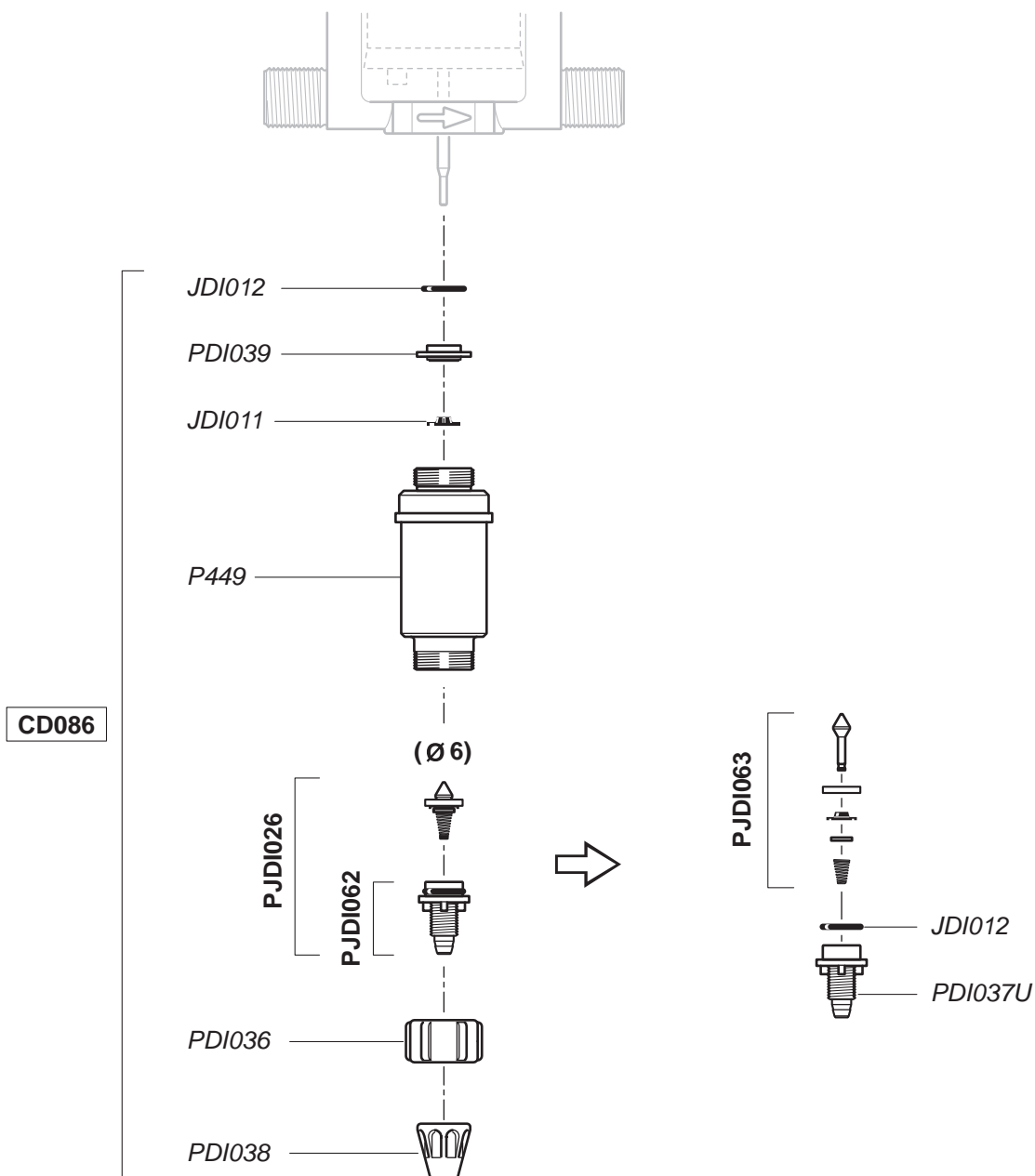
# D25F02

2.5 m<sup>3</sup>/h - 0.2%  
11 GPM - 1:500  
0.3 - 6 bar  
4.3 - 85 psi



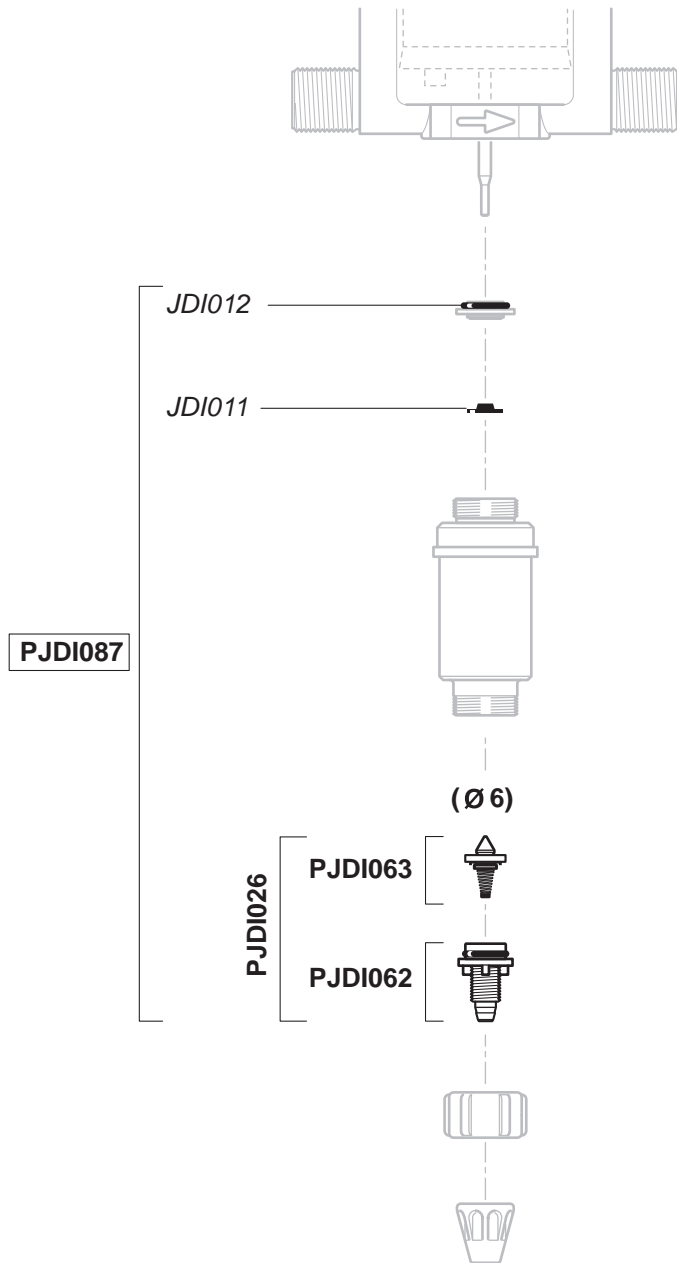
# D25F02

2.5 m<sup>3</sup>/h - 0.2%  
11 GPM - 1:500  
0.3 - 6 bar  
4.3 - 85 psi



# D25F02

2.5 m<sup>3</sup>/h - 0.2%  
11 GPM - 1:500  
0.3 - 6 bar  
4.3 - 85 psi





# D25F02

2.5 m<sup>3</sup>/h - 0.2%  
11 GPM - 1:500  
0.3 - 6 bar  
4.3 - 85 psi

