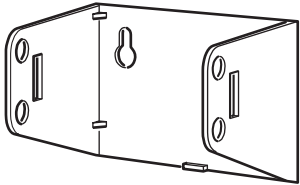
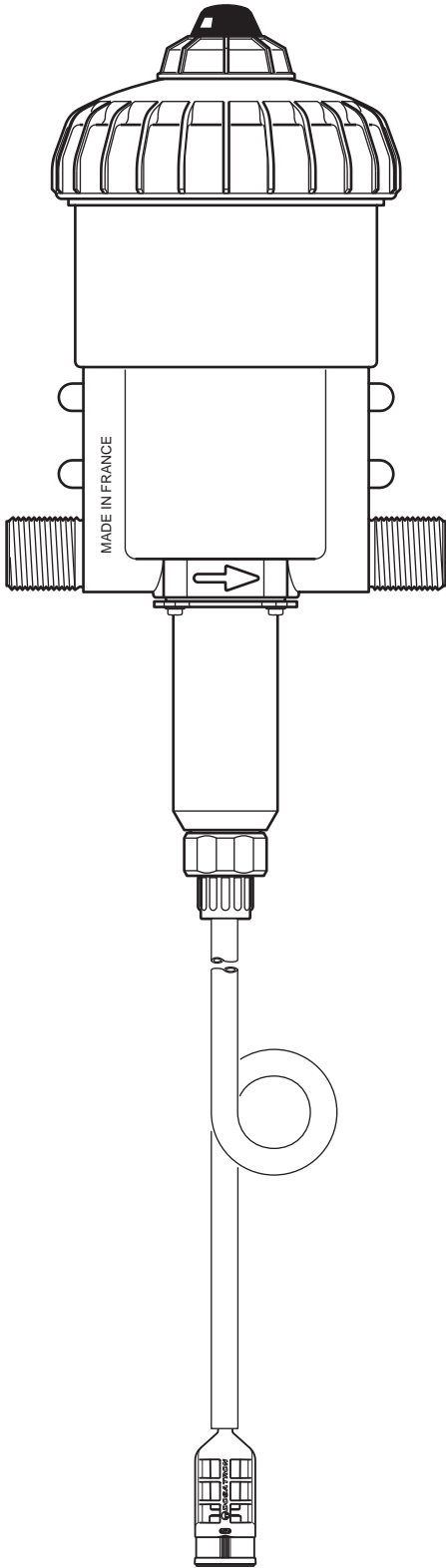


# D25F

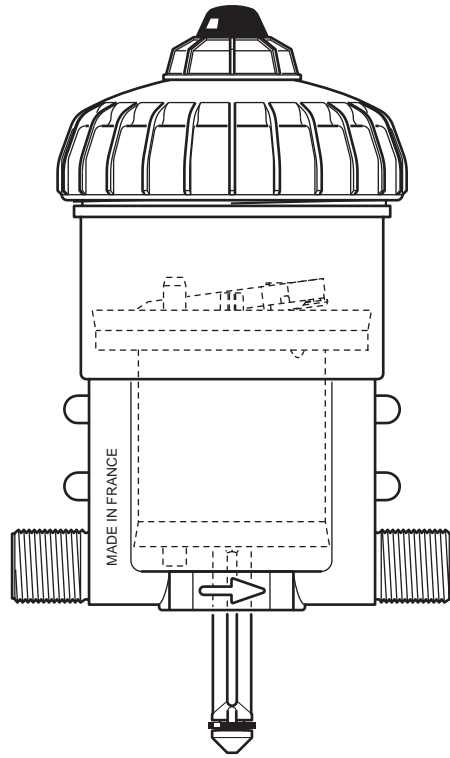
2.5 m<sup>3</sup>/h - 0.8%  
11 GPM - 1:128  
0.3 - 6 bar  
4.3 - 85 psi



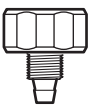
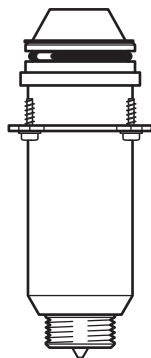
# D25F

2.5 m<sup>3</sup>/h - 0.8%  
11 GPM - 1:128  
0.3 - 6 bar  
4.3 - 85 psi

**C+M**



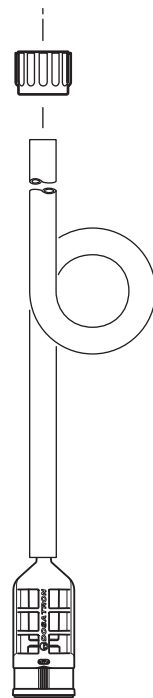
**D**



(Ø6)



**A**



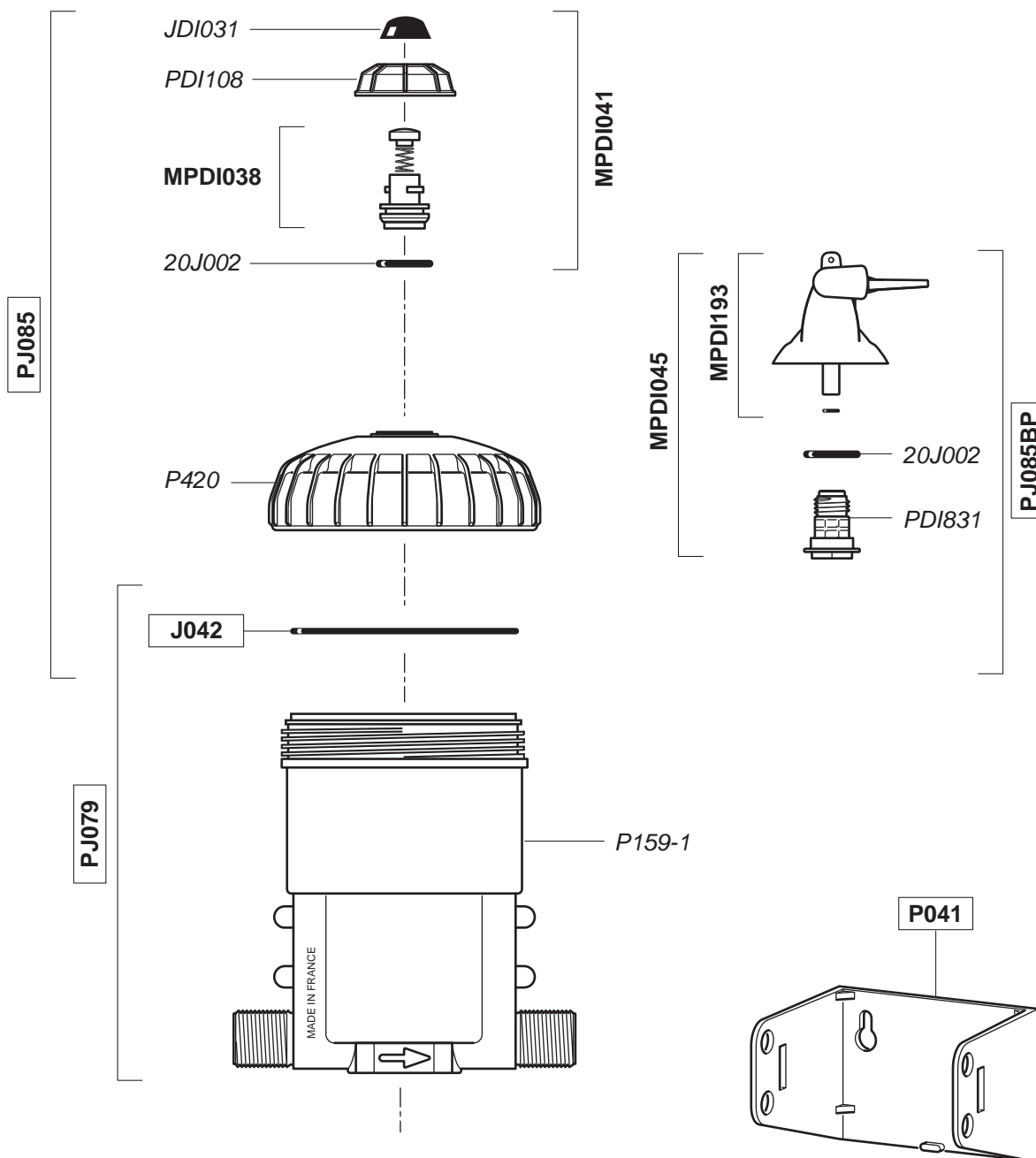
# D25F

2.5 m<sup>3</sup>/h - 0.8%

11 GPM - 1:128

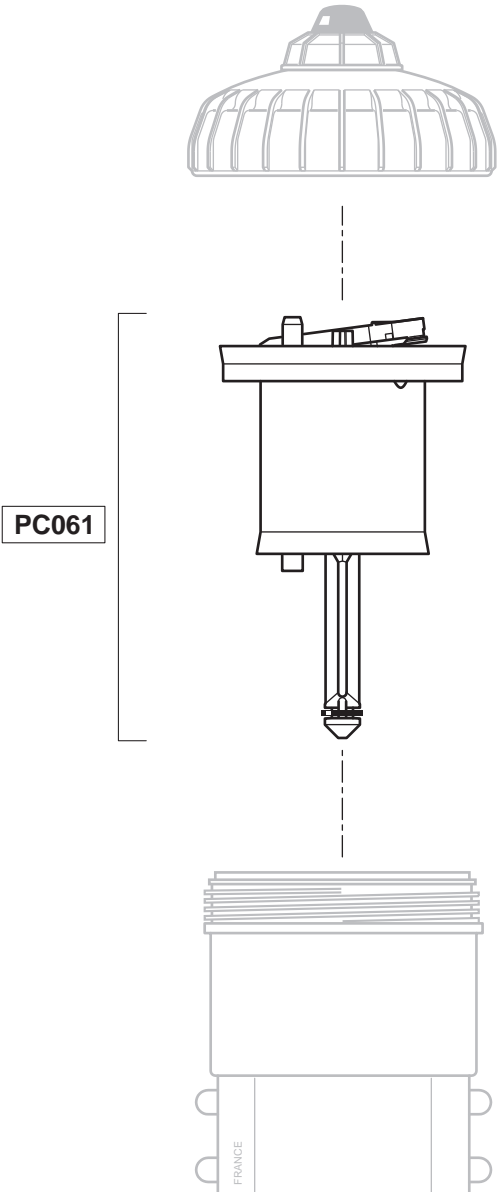
0.3 - 6 bar

4.3 - 85 psi



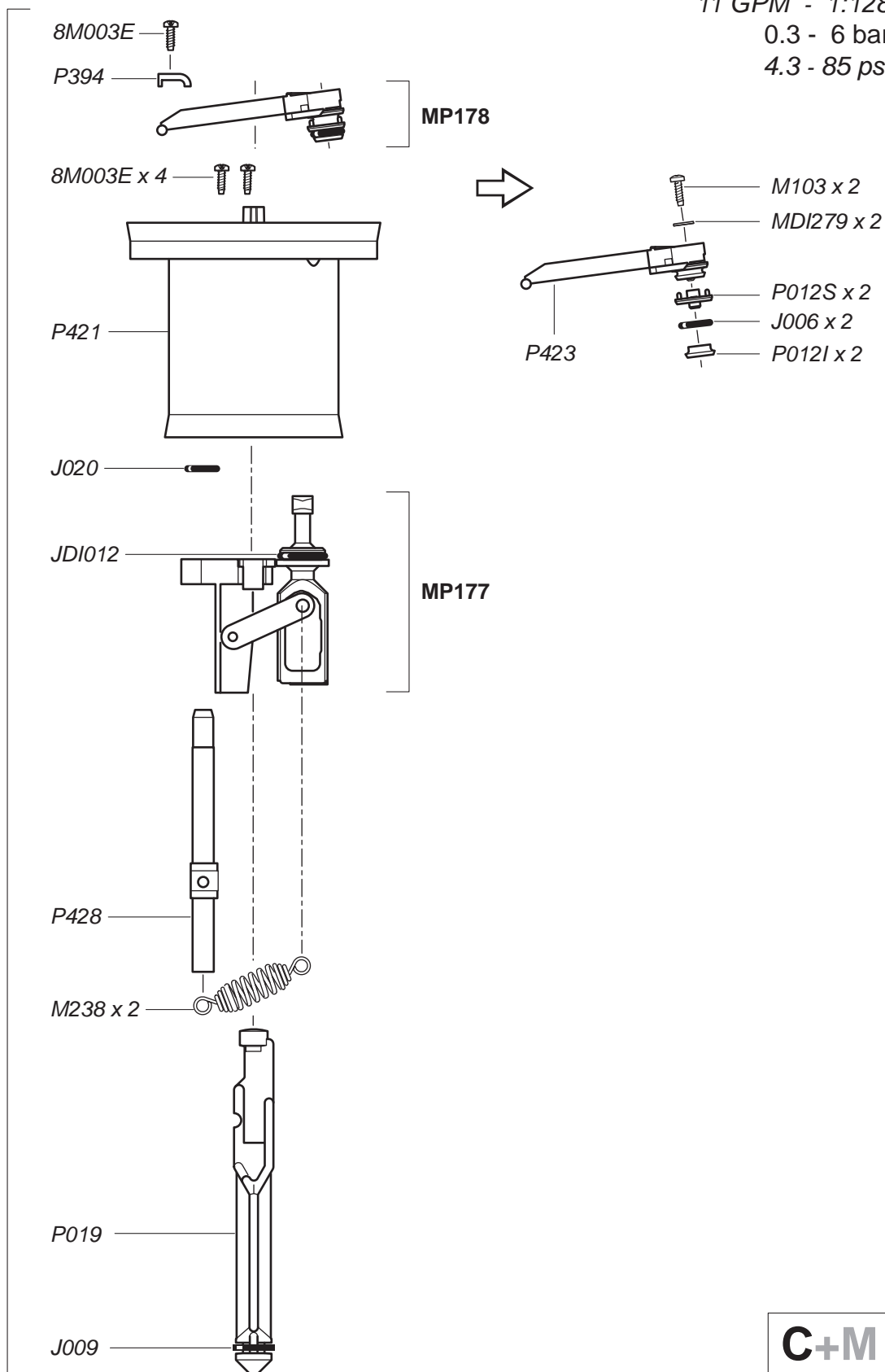
# D25F

2.5 m<sup>3</sup>/h - 0.8%  
11 GPM - 1:128  
0.3 - 6 bar  
4.3 - 85 psi



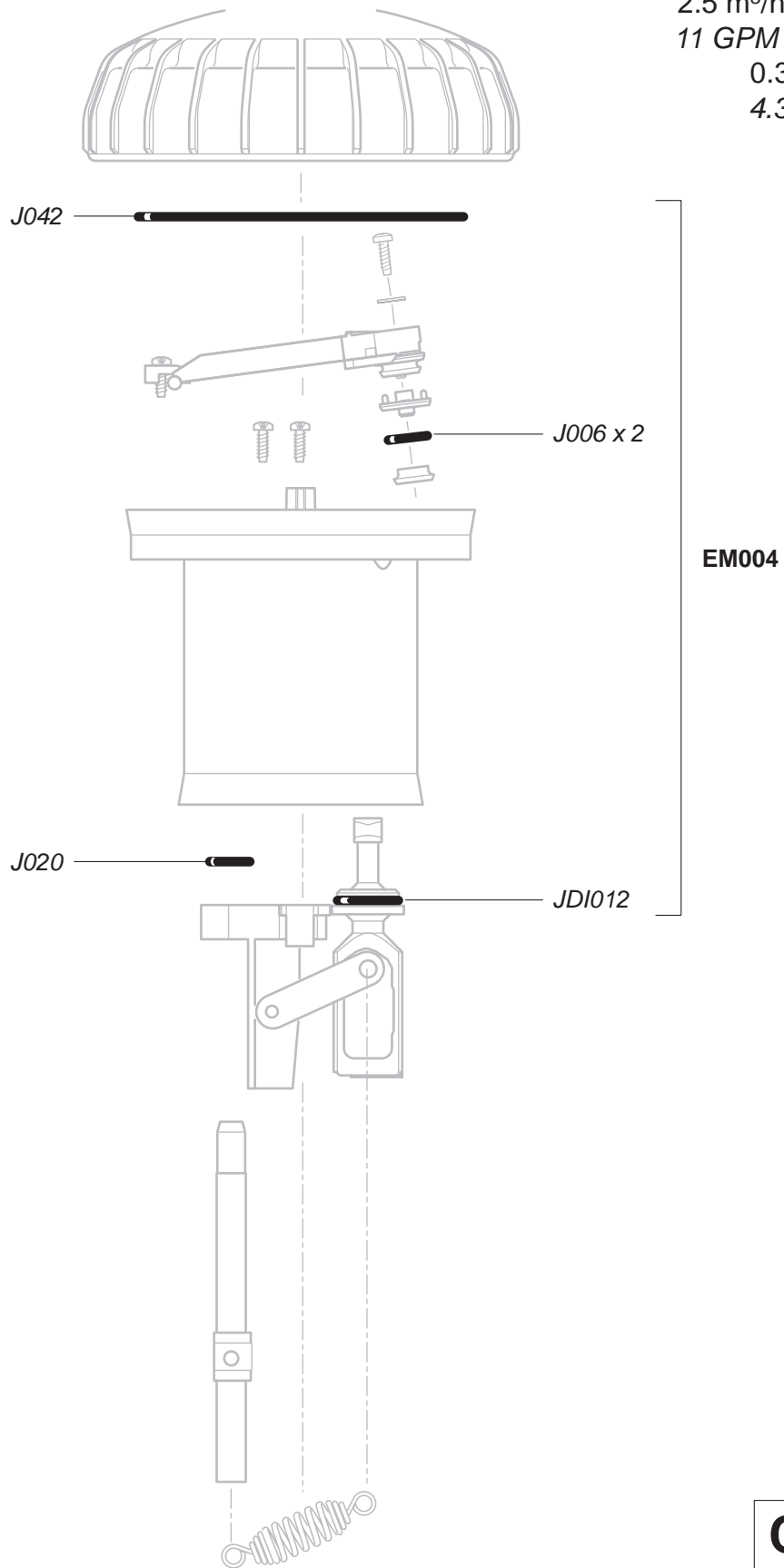
# D25F

2.5 m<sup>3</sup>/h - 0.8%  
 11 GPM - 1:128  
 0.3 - 6 bar  
 4.3 - 85 psi



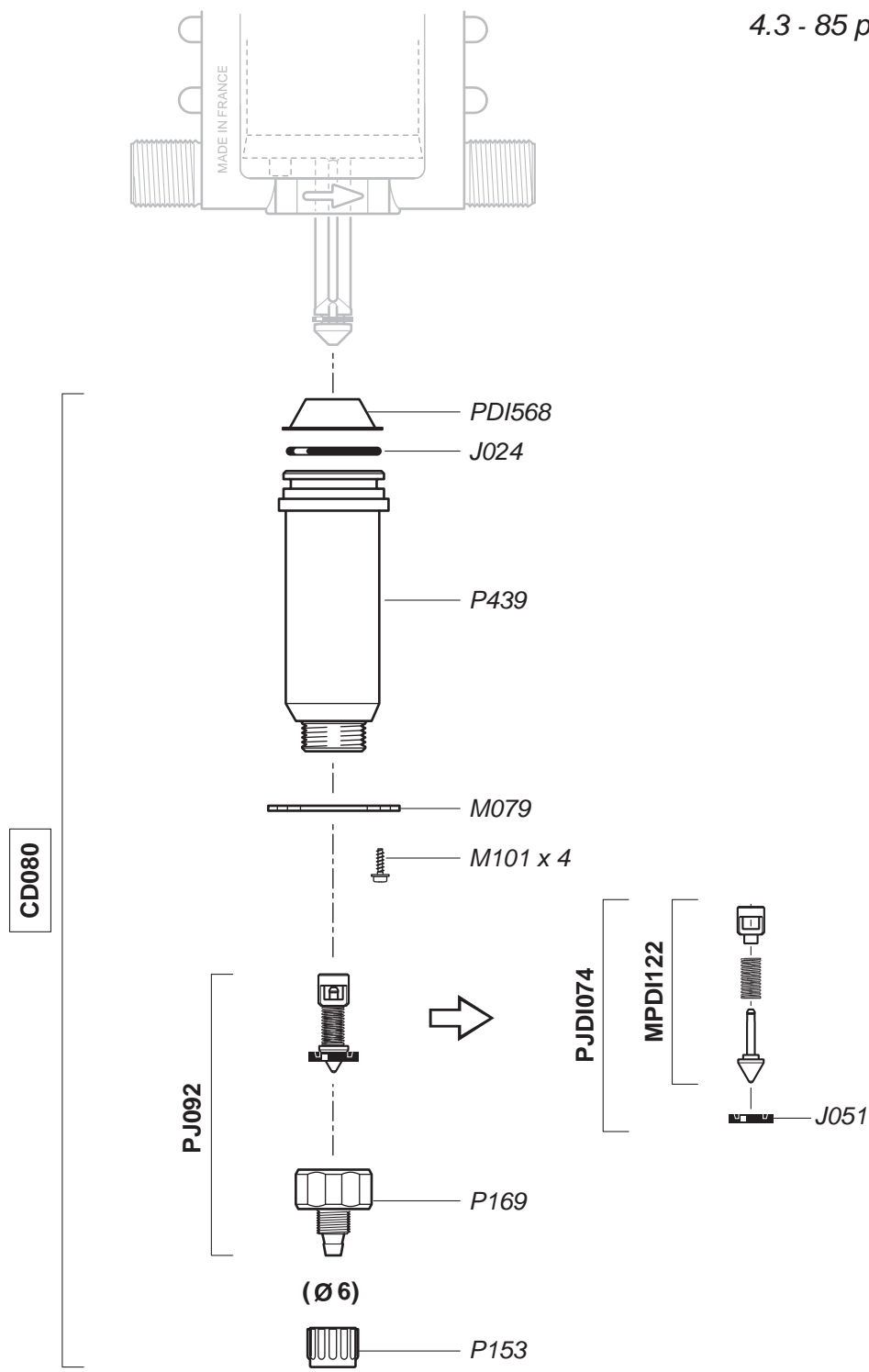
# D25F

2.5 m<sup>3</sup>/h - 0.8%  
11 GPM - 1:128  
0.3 - 6 bar  
4.3 - 85 psi



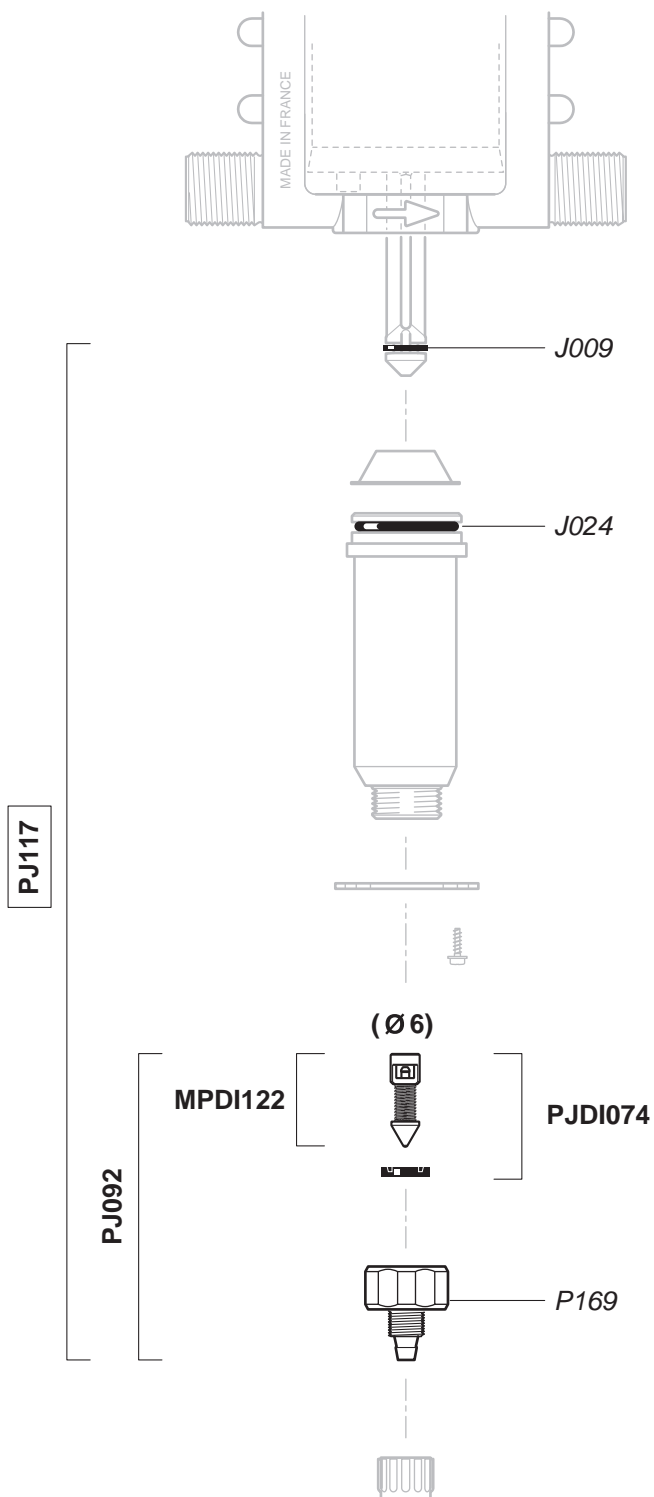
# D25F

2.5 m<sup>3</sup>/h - 0.8%  
11 GPM - 1:128  
0.3 - 6 bar  
4.3 - 85 psi



# D25F

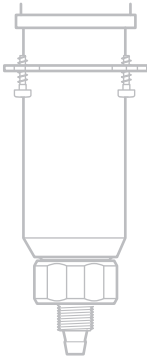
2.5 m<sup>3</sup>/h - 0.8%  
11 GPM - 1:128  
0.3 - 6 bar  
4.3 - 85 psi





# D25F

2.5 m<sup>3</sup>/h - 0.8%  
11 GPM - 1:128  
0.3 - 6 bar  
4.3 - 85 psi



(Ø 6)

